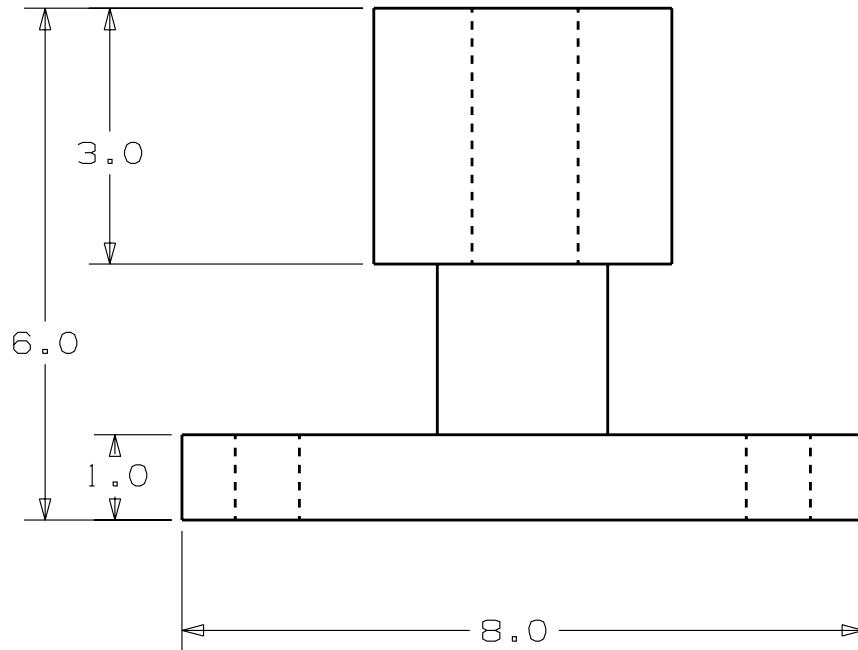
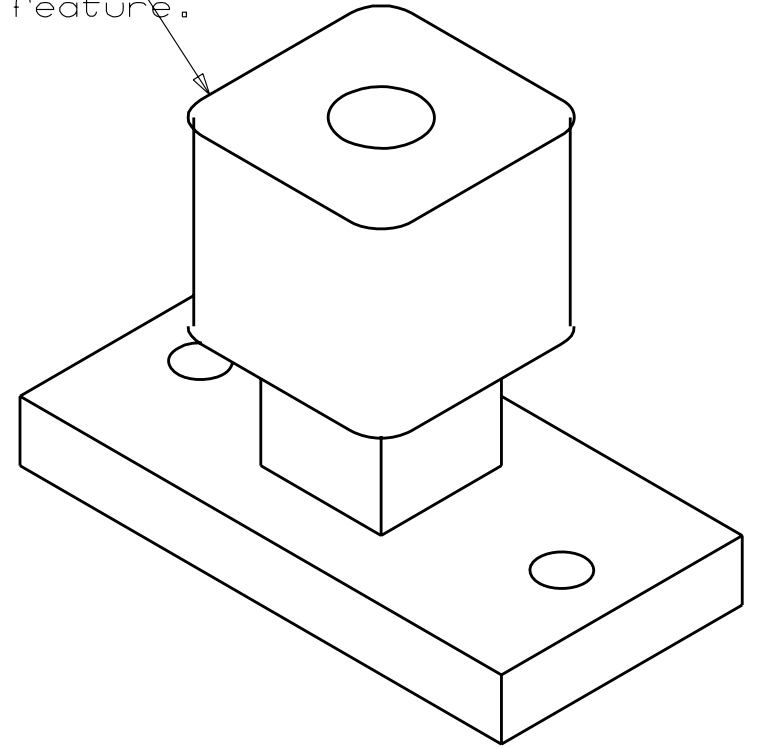
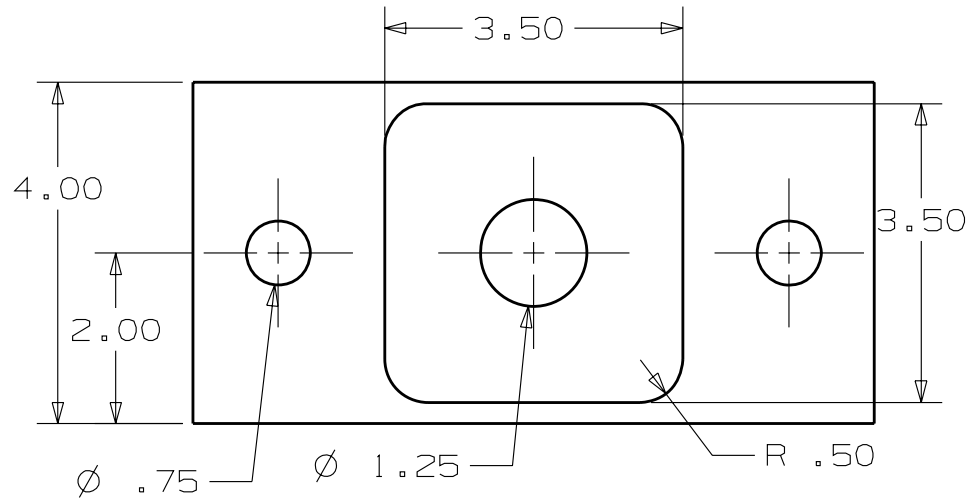


Sketch and extrude
to create top feature.



Note: Part is symmetric.
Units are inches.

Michigan Technological University

Dept. of Engineering Fundamentals

Eng: JEH

Date: 9/30/05

Title:

UGNX Lab Practical - 2